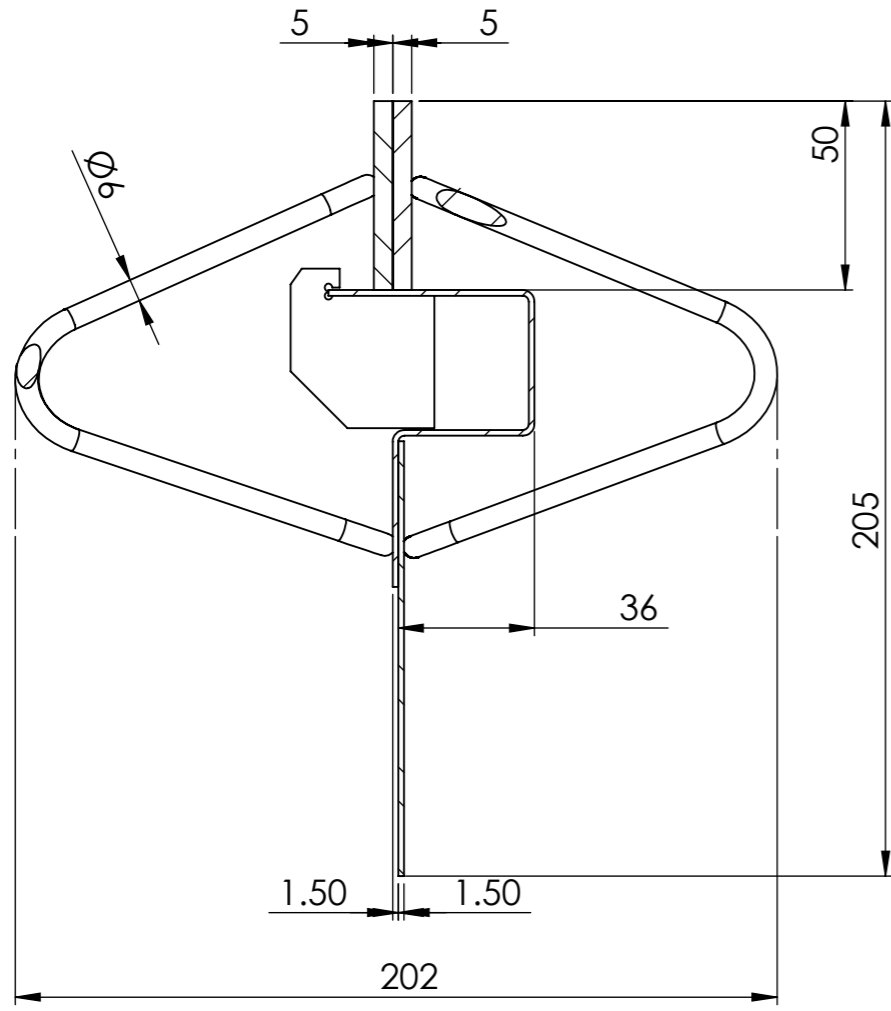
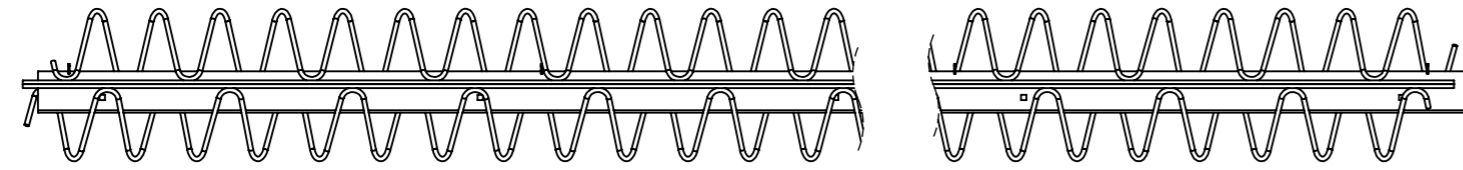
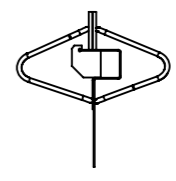
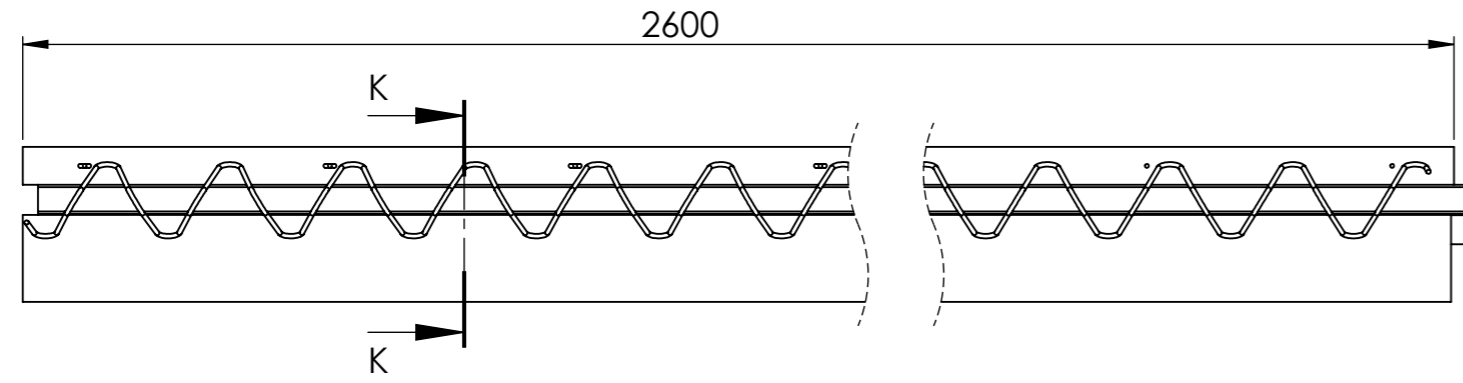


8 7 6 5 4 3 2 1

F
E
D
C
B
A



SECTION K-K
SCALE 1 : 2



Available materials:
Steel
Electrogalvanised steel
Stainless steel

Hcj reserves the right to alter the products without notice

PROPRIETARY AND CONFIDENTIAL
THE INFORMATION CONTAINED IN THIS DRAWING IS THE SOLE PROPERTY OF HCJ ANY REPRODUCTION IN PART OR AS A WHOLE WITHOUT THE WRITTEN PERMISSION OF HCJ IS PROHIBITED.



HENGELHOEF
CONCRETE JOINTS

Hengelhofstraat 158
3600 Genk, Belgium
Tel. 0032 89 32 39 82
Fax. 0032 89 32 39 88
www.hcjoins.eu
e-mail info@hcjoins.be

TITLE: e_straight 205		WEIGHT/PC 21.76 Kg
SIZE A3	DWG. NO. e_straight	REV
ALL DIMENSIONS ARE IN MM		SCALE: 1:50
DO NOT SCALE DRAWING		SHEET 11 OF 11

8 7 6 5 4 3 2 1