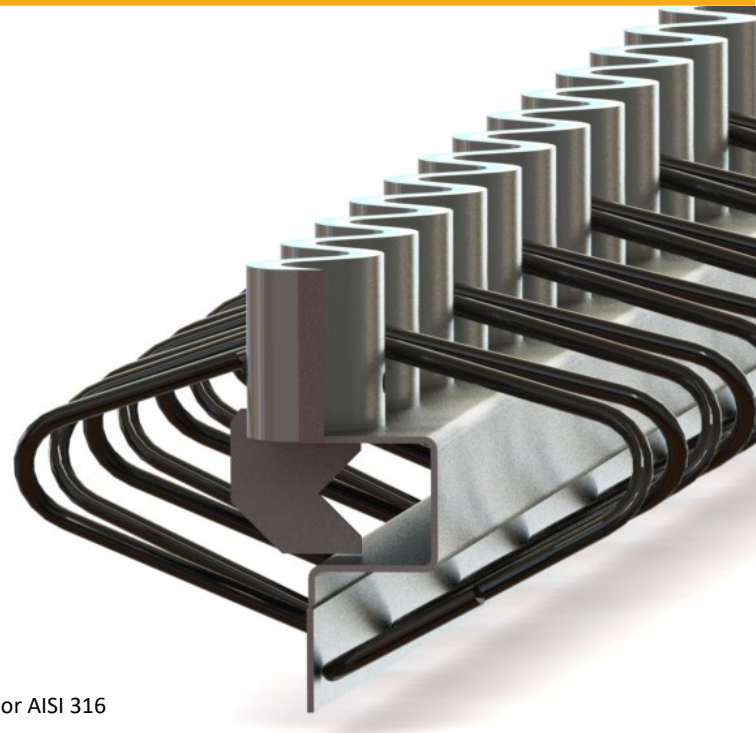


e-slide



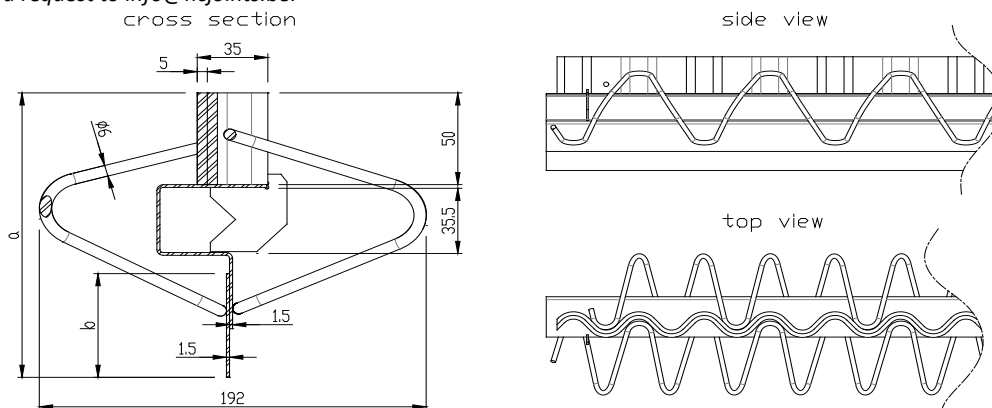
STEEL QUALITY	EN 10025-2:2004 - S235JR, cold drawn NBN A 24-302 - BE 500 TS EN 10111:2008 - DD14
MATERIAL THICKNESS	2 x 5 mm (13/64") upper Slide® waves Body 1,5 mm (1/16")
PROFILE LENGTH	2,60 m (+ 5 mm / - 10 mm) (8.53 ft +13/64" / - 25/64")
JOINT OPPENING	Optimal and recommended up to 15 mm (19/32"), load transfer possible up to 25 mm (1")
ANCHORAGE	Patented, specially 3D formed rebar \varnothing 6 mm (15/64") as continuous anchorage
VERSIONS	Natural steel / Galvanized / Stainless steel AISI 304 or AISI 316
PALLET SIZE	Length 2,60 m (8.53 ft), Width 1,15 m (3.77 ft), height see table

Height a [mm] (inch)	Slab thickness [mm] (inch)	b [mm] (inch)	Weight [kg/m] (lbs/ft)	Weight [kg/pc.] (lbs/pc.)	Quantity [pcs./pal.]	Quantity [m/pal.] (ft/pal.)	Gross weight per pal. [kg] (lbs)	Pallet Height [m] (ft)
130 (5 1/8) 6" slabs	140 - 150 (5 33/64 - 5 29/32)	30 (1 3/16)	8,20 (5.58)	21,32 (47.00)	56	145,6 (477.69)	1285 (2844)	1,15 (3.77)
155 (6 7/64) 7" slabs	160 - 180 (6 19/64 - 7 3/32)	65 (2 9/16)	8,61 (5.79)	22,39 (49.36)	49	127,4 (417.98)	1150 (2535)	1,26 (4.13)
180 (7 3/32) 8" slabs	190 - 200 (7 31/64 - 7 7/8)	90 (3 35/64)	8,91 (5.99)	23,16 (51.06)	42	109,2 (358.27)	1025 (2260)	1,20 (3.94)
205 (8 1/16) 9" slabs	210 - 230 (8 1/4 - 9 1/16)	115 (4 17/32)	9,25 (6.22)	24,06 (53.04)	35	91,0 (298.56)	920 (2030)	1,10 (3.61)

The e-slide joint is recommended for the use in light and medium loaded floors and for floor thickness' between 140 and 225 mm (5.5" - 9").

Other heights for floor thicknesses above 285 mm (9") are available on request and function of the corresponding design check.

ATTENTION: The load transfer capacity of e-slide® is reduced when compared to Cosinus Slide® but is still considerably greater than discontinued plate- or doweled joints. For calculations, validations and optimal use of the joints for your respective projects, please contact your local dealer or send a request to info@hcjoints.be.



Document issued August 2021. Hengelhof Concrete Joints nv. reserves the right to alter the products without notice. ©COPYRIGHT 2021 by Hengelhof Concrete Joints nv.

Distributed by (USA & Canada):

Performance Structural Concrete Solutions, LLC

127 Promenade Dr., #C2, Mooresville, NC 28117, USA

www.pscs-llc.com, E. info@pscsc-llc.com Ph. 980-333-6414



HENGELHOEF
CONCRETE JOINTS

Hengelhofstraat 158, Poort Genk 0420, B-3600 Genk

T. +32 (0)89 32 39 80 · F. +32 (0)89 32 39 88

E. info@hcjoints.be

www.hcjoints.be

